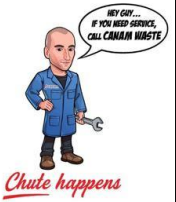


REVISIONS			
REV	DESCRIPTION	DATE	APPROVED

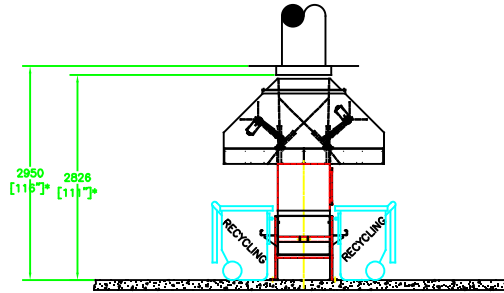


Keeping your chute together since 1999

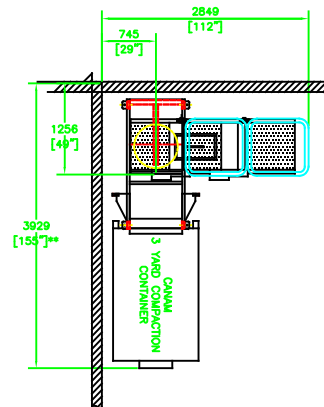
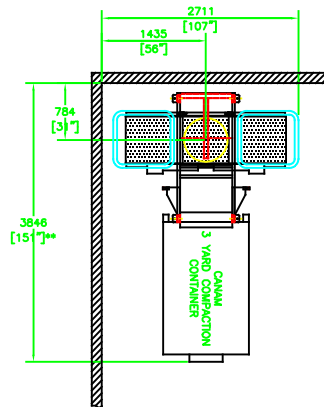
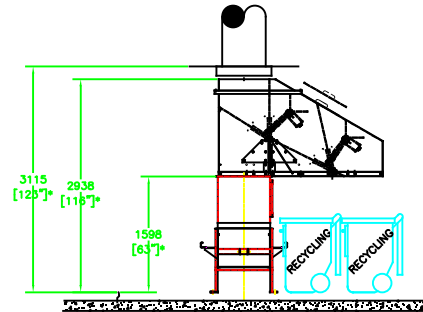
North America's multi-family waste equipment specialists



INLINE TRISORTER



END FEED TRISORTER



DESIGN NOTES:

IT IS ALWAYS PREFERRED THAT THERE ARE NO CHUTE OFFSETS.

ALWAYS MAINTAIN 600mm CLEARANCE FROM EDGE OF TRISORTER TO SLOPE OF COMPACTOR

EQUIPMENT LAYOUT VARIATIONS ARE POSSIBLE. CONSULT WITH CANAM FOR CUSTOM VARIATIONS

TRISORTER LAYOUTS - 95 GALLON

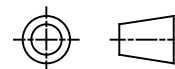


CANAM WASTE PRODUCTS INC.

Telephone: 647.492.0318 / Fax: 647.492.0319

TRISORTER LAYOUTS

TRISORTER LAYOUTS



Drawn by:	RR	SIZE	FSCM NO.	DWG NO.	1	REV
Approved:		SCALE	NTS	date:	2022	SHEET 1 of 1